

XLED PRO ONE S

with motion detector - anthracite
 EAN 4007841 069568
 Article number 069568



LED	3000 K								
Langlebige LED 50.000 h	3000K warmweiß	Infrarot-Sensor 240°	Max. Ø 10 m	IP44	Panel 180° vertikal	2 - 2000 Lux	Lichtquelle nicht austauschbar	Betriebsgerät nicht austauschbar	8 Sek - 35 Min

Function description

Floodlight redefined. The XLED PRO ONE S floodlight, which can be swivelled vertically through 180° and comes in an elegant aluminium housing, guarantees daylight illumination of large areas with warm white 3000 K and at. Features include a 240° infrared sensor (10 m range), plug-in cover caps to limit the detection area, a basic light function (10%) and an optional surface-mounted adapter. Networking via cable. Adjustment via potentiometers and remote control. RC 12 remote control included for sensor version. Maximum mounting height: 6 m. Available in white or anthracite. 5-year guarantee.

Technical specifications

Dimensions (L x W x H)	182 x 229 x 230 mm	Reach, tangential	r = 10 m (209 m ²)
With lamp	Yes, STEINEL LED system	Photo-cell controller	Yes
With motion detector	Yes	Cover material	shrouds
Manufacturer's Warranty	5 years	Luminous flux total product	2204 lm
Settings via	Remote control, Potentiometers, Smart Remote	Measured luminous flux (360°)	2204 lm
Version	with motion detector - anthracite	Total product efficiency	120 lm/W
PU1, EAN	4007841069568	Colour temperature	3000 K
Application, place	Outdoors	Colour variation LED	SDCM3
Application, room	outdoors, garden, front door, courtyard & driveway, all round the building, Indoors	Lamp	LED cannot be replaced
Colour	Anthracite	Service life LED L70B50 (25°)	> 36000 h
Includes corner wall mount	No	LED cooling system	Passive Thermo Control
Installation site	ceiling, wall	Soft light start	Yes
Installation	Surface wiring, Wall	Functions	DIM function, Light sensor, Motions sensor, Orientation light
Impact resistance	IK03	Twilight setting	2 – 2000 lx
		Time setting	8 s – 35 Min.
		Basic light level function	Yes

XLED PRO ONE S

with motion detector - anthracite
 EAN 4007841 069568
 Article number 069568



Technical specifications

IP-rating	IP44
Protection class	I
Ambient temperature	-20 – 40 °C
Housing material	Aluminium
Cover material	Glass transparent
Mains power supply	220 – 240 V / 50 – 60 Hz
LED lamps < 2 W	16 W
LED lamps > 2 W < 8 W	64 W
LED lamps > 8 W	64 W
Capacitive load in µF	88 µF
Mounting height max.	6,00 m
Slave modeselectable	No
Sneak-by guard	Yes
Capability of masking out individual segments	No
Electronic scalability	No
Mechanical scalability	No
Reach, radial	r = 3 m (19 m ²)

Basic light level function time	10/30 min, all night
Main light adjustable	No
Twilight setting TEACH	Yes
Interconnection	Yes
Type of interconnection	Master/slave
Interconnection via	Cable
Basic light level function in per cent	10 %
Basic light level function percentage, from	10 %
Basic light level function percentage, up to	10 %
Output	18,4 W
Colour Rendering Index CRI	= 80
Optimum mounting height	2 m
Detection angle	240 °
IP-rating, ceiling	IP44

Accessories

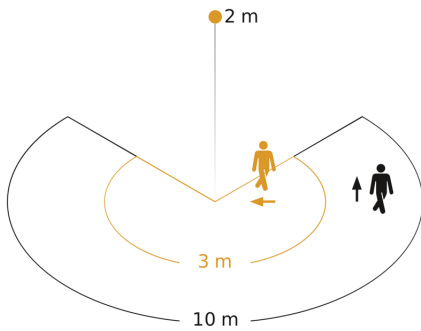
EAN 4007841 080990	Surface mount adapter XLED PRO ONE
EAN 4007841 079000	RC 12

XLED PRO ONE S

with motion detector - anthracite
EAN 4007841 069568
Article number 069568

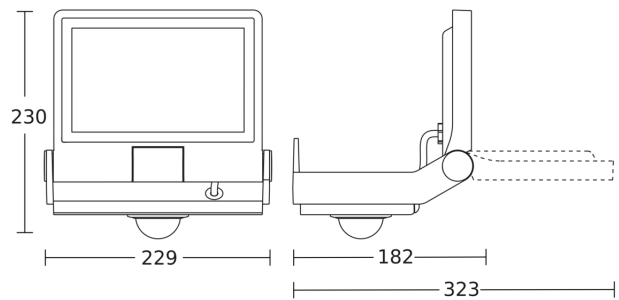


Detection Zone

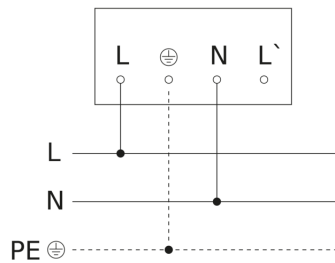


Possible mounting height: 1,80 m - 6,00 m
Orange: radial
Black: tangential

Dimension Drawing



Master circuit diagram



Master/slave interconnection circuit diagram

